

PARTS LIST

CAUTION

- The parts identified by the \triangle symbol are important for the safety. Whenever replacing these parts, be sure to use specified ones to secure the safety.
- The parts not indicated in this Parts List and those which are filled with lines — in the Parts No. columns will not be supplied.
- P. W. Board Ass'y will not be supplied, but those which are filled with the Parts No. in the Parts No. columns will be supplied.

ABBREVIATIONS OF RESISTORS, CAPACITORS AND TOLERANCES

RESISTORS		CAPACITORS	
C R	Carbon Resistor	C CAP.	Ceramic Capacitor
F R	Fusible Resistor	E CAP.	Electrolytic Capacitor
P R	Plate Resistor	M CAP.	Mylar Capacitor
V R	Variable Resistor	HV CAP.	High Voltage Capacitor
HV R	High Voltage Resistor	MF CAP.	Metalized Film Capacitor
MF R	Metal Film Resistor	MM CAP.	Metalized Mylar Capacitor
MG R	Metal Glazed Resistor	MP CAP.	Metalized Polystyrol Capacitor
MP R	Metal Plate Resistor	PP CAP.	Polypropylene Capacitor
OM R	Metal Oxide Film Resistor	PS CAP.	Polystyrol Capacitor
CMF R	Coating Metal Film Resistor	TF CAP.	Thin Film Capacitor
UNF R	Non-Flammable Resistor	MPP CAP.	Metalized Polypropylene Capacitor
CH V R	Chip Variable Resistor	TAN. CAP.	Tantalum Capacitor
CH MG R	Chip Metal Glazed Resistor	CH C CAP.	Chip Ceramic Capacitor
COMP. R	Composition Resistor	BP E CAP.	Bi-Polar Electrolytic Capacitor
LPTC R	Linear Positive Temperature Coefficient Resistor	CH AL E CAP.	Chip Aluminum Electrolytic Capacitor
NETW R	Network Resistor	CH AL BP CAP.	Chip Aluminum Bi-Polar Capacitor
		CH TAN. E CAP.	Chip Tantalum Electrolytic Capacitor
		CH AL BP E CAP.	Chip Tantalum Bi-Polar Electrolytic Capacitor

TOLERANCES									
F	G	J	K	M	N	R	H	Z	P
±1%	±2%	±5%	±10%	±20%	±30%	+30%	+50%	+80%	+100%
						-10%	-10%	-20%	-0%

CONTENTS

■ P.W. BOARDS	30
■ EXPLODED VIEW PARTS LIST-I	31
■ EXPLODED VIEW-I	31
■ EXPLODED VIEW PARTS LIST-II	32
■ EXPLODED VIEW-II	33
■ PRINTED WIRING BOARD PARTS LIST	
● MAIN PW BOARD ASS'Y	34
● INTER PIN PW BOARD ASS'Y	37
● CRT SOCKET PW BOARD ASS'Y	37
● FRONT CONTROL PW BOARD ASS'Y	39
● ALC PW BOARD ASS'Y	39
● IF PW BOARD ASS'Y	40
● AV SW PW BOARD ASS'Y	41
■ PACKING	43
■ PACKING PARTS LIST	43
■ REMOTE CONTROL UNIT PARTS LIST	43

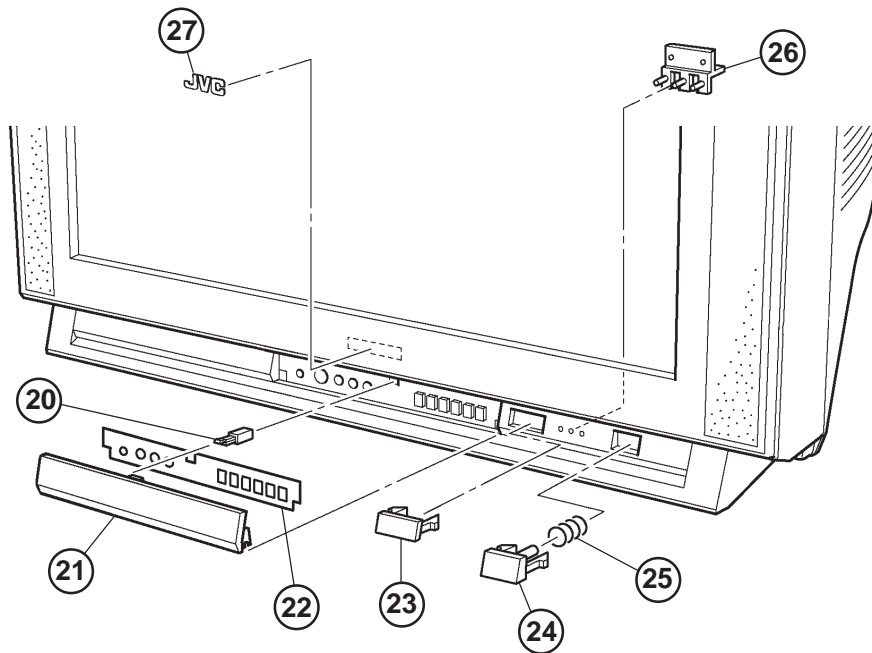
P.W. BOARDS

P.W.B. Ass'y	Part No.
MAIN P.W.B.	SCM-1613A-H2
INNER PIN P.W.B.	SCM-2102A-H2
CRT SOCKET P.W.B.	SCM-3302A-H2
FRONT CONTROL P.W.B.	SCM-8302A-H2
ALC P.W.B.	SCM0A105A-H2
IF P.W.B.	SCM0F302A-H2
AV SW P.W.B.	SCM0Y502A-H2

EXPLODED VIEW PARTS LIST-I

△ Ref.No.	Part No.	Part Name	Description	Local
20	CM48229-00A-C	DOOR LATCH		
21	LC20336-011A-H	DOOR	(Service)	
22	LC30694-003A-H	OPERATION SHEET		
23	LC30303-001A-H	E. E. WINDOW		
24	LC30302-014A	POWER KNOB	(Service)	
25	CM35235-003-H	SPRING		
26	LC30693-001A-H	LED LENS		
27	CM48125-009	JVC MARK		

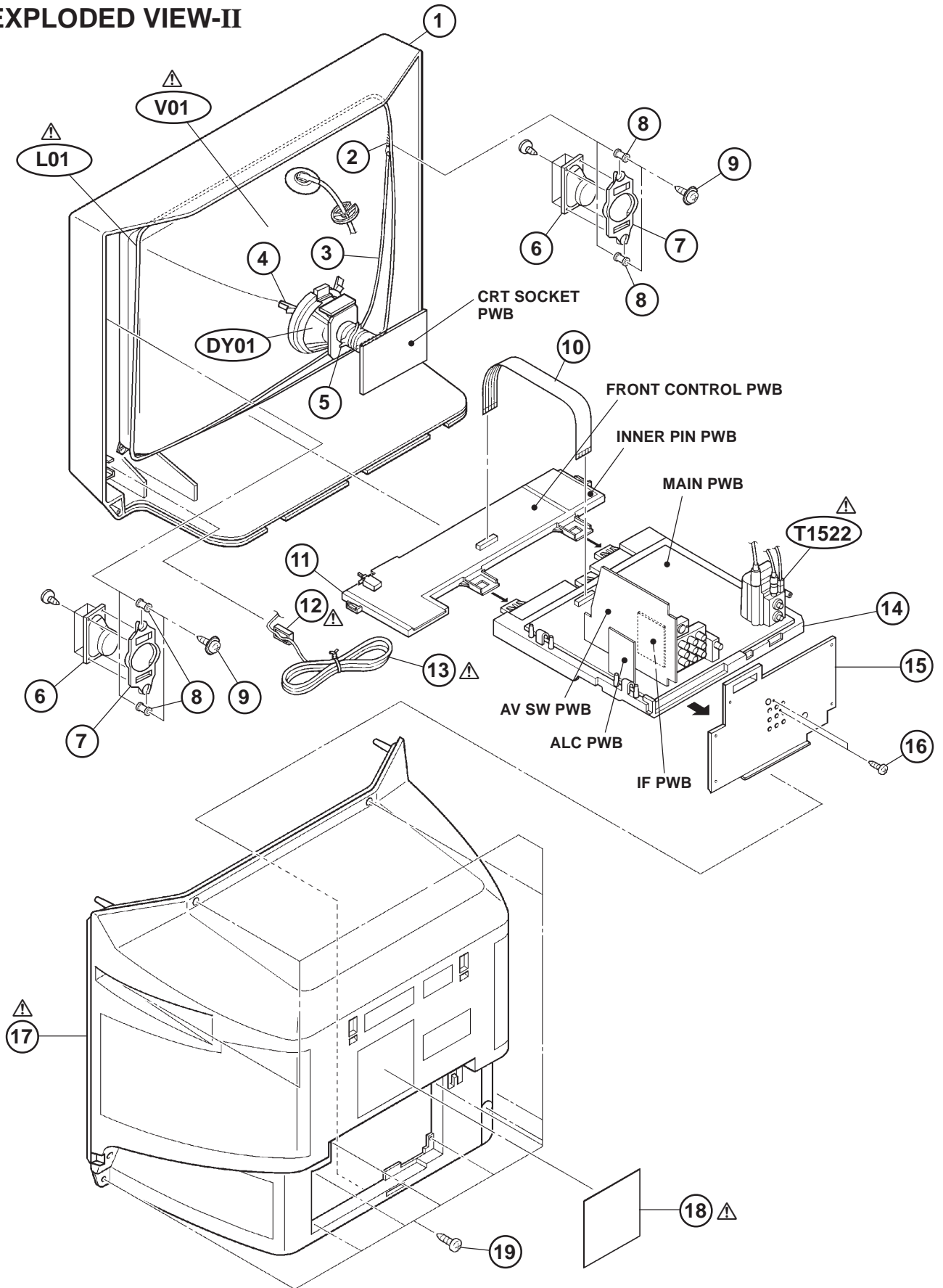
EXPLODED VIEW-I



EXPLODED VIEW PARTS LIST-II

△ Ref.No.	Part No.	Part Name	Description	Local
△ V01	A51LSK955X	PICTURE TUBE	or A51LSK655X	
△ L01	QQW0067-001	DEG COIL	or QQW0058-001	
DY01	QQD0035-001	DEFLECTION YOKE		
△ T1522	QH0061-001	H.V. TRANSF.		
1	LC10549-012A-H	FRONT CABI ASSY		
2	A48457-3-H	SPRING		
3	CHGB0016-0B-FH	BRAIDED ASSY		
4	CE40764-00A	WEDGE ASSY	(x3)	
5	CE42568-00A	PC MAGNET		
6	QAS0032-001	SPEAKER	(x2) SP01,SP02	
7	LC20371-001D-H	SP HOLDER	(x2)	
8	LC40226-001A	SPACER	(x4)	
9	LC40317-002A-H	TAPPING SCREW	(x4)	
10	CHFD125-12BD	FFC WIRE		
11	LC10478-002A-H	CONTROL BASE		
△ 12	CM47005-A01-H	CORD CLAMP		
△ 13	QMP40D0-200J5	POWER CORD	or QMP40D0-200J3	
14	CM12624-A02-VH	PB BASE		
15	LC10546-001A-H	AV TERMINAL BOARD		
16	QYSBSF3012M	TAPPING SCREW	(x2)	
△ 17	LC10551-002A-H	REAR COVER		
△ 18	LC20377-010B-H	RATING LABEL		
19	QYSBSFG4016Z	TAPPING SCREW	(x12)	

EXPLODED VIEW-II



PRINTED WIRING BOARD PARTS LIST

MAIN P.W. BOARD ASS'Y (SCM-1613A-H2)

△ Symbol No.	Part No.	Part Name	Description	Local
RESISTOR				
R1001	QRE141J-102Y	C R	1kΩ 1/4W J	
R1002	QRE141J-102Y	C R	1kΩ 1/4W J	
R1003	QRE141J-102Y	C R	1kΩ 1/4W J	
R1004	QRE141J-102Y	C R	1kΩ 1/4W J	
R1101	QRE141J-473Y	C R	47kΩ 1/4W J	
R1102	QRE141J-153Y	C R	15kΩ 1/4W J	
R1103	QRE141J-750Y	C R	75Ω 1/4W J	
R1201	QRE141J-562Y	C R	5.6kΩ 1/4W J	
R1203	QRE141J-224Y	C R	22kΩ 1/4W J	
R1204	QRE141J-391Y	C R	390Ω 1/4W J	
R1205	QRE141J-391Y	C R	390Ω 1/4W J	
R1206	QRE141J-472Y	C R	4.7kΩ 1/4W J	
R1207	QRE141J-101Y	C R	100Ω 1/4W J	
R1301	QRE141J-681Y	C R	680Ω 1/4W J	
R1302	QRE141J-102Y	C R	1kΩ 1/4W J	
R1303	QRE141J-273Y	C R	27kΩ 1/4W J	
R1304	QRE141J-101Y	C R	100Ω 1/4W J	
R1305	QRE141J-101Y	C R	100Ω 1/4W J	
R1306	QRE141J-101Y	C R	100Ω 1/4W J	
R1307	QRE141J-102Y	C R	1kΩ 1/4W J	
R1308	QRE141J-102Y	C R	1kΩ 1/4W J	
R1309	QRE141J-102Y	C R	1kΩ 1/4W J	
R1310	QRE141J-102Y	C R	1kΩ 1/4W J	
R1311	QRE141J-333Y	C R	33kΩ 1/4W J	
R1313	QRE141J-103Y	C R	10kΩ 1/4W J	
R1314	QRE141J-103Y	C R	10kΩ 1/4W J	
R1315	QRE141J-222Y	C R	2.2kΩ 1/4W J	
R1321	QRE141J-101Y	C R	100Ω 1/4W J	
R1322	QRE141J-101Y	C R	100Ω 1/4W J	
R1325	QRE141J-154Y	C R	150kΩ 1/4W J	
R1401	QRE141J-103Y	C R	10kΩ 1/4W J	
R1402	QRE141J-103Y	C R	10kΩ 1/4W J	
R1403	QRE141J-102Y	C R	1kΩ 1/4W J	
R1406	QRE141J-183Y	C R	18kΩ 1/4W J	
R1407	QRE141J-223Y	C R	22kΩ 1/4W J	
R1422	QRE141J-472Y	C R	4.7kΩ 1/4W J	
R1423	QRE141J-102Y	C R	1kΩ 1/4W J	
R1425	QRE141J-333Y	C R	33kΩ 1/4W J	
R1426	QRE141J-333Y	C R	33kΩ 1/4W J	
R1427	QRE141J-103Y	C R	10kΩ 1/4W J	
R1429	QRA14CF-2491Y	MF R	2.49kΩ 1/4W F	
R1430	QRE141J-103Y	C R	10kΩ 1/4W J	
R1431	QRA14CF-1002Y	MF R	10kΩ 1/4W F	
R1432	QRE121J-688Y	C R	6.8Ω 1/2W J	
R1433	QRX01GJ-6R8	MF R	6.8Ω 1W J	
R1434	QRE141J-473Y	C R	47kΩ 1/4W J	
R1436	QRA14CF-2202Y	MF R	22kΩ 1/4W F	
R1440	QRG01GJ-221	OM R	220Ω 1W J	
R1446	QRK126J-1R0X	C R	1.0Ω 1/2W J	
R1451	QRE141J-272Y	C R	2.7kΩ 1/4W J	
R1452	QRE141J-563Y	C R	56kΩ 1/4W J	
R1453	QRE141J-183Y	C R	18kΩ 1/4W J	
R1454	QRE141J-103Y	C R	10kΩ 1/4W J	
R1461	QRE141J-821Y	C R	820Ω 1/4W J	
R1462	QRE141J-183Y	C R	18kΩ 1/4W J	
R1463	QRE141J-221Y	C R	220Ω 1/4W J	
R1464	QRE141J-221Y	C R	220Ω 1/4W J	
R1465	QRE141J-331Y	C R	330Ω 1/4W J	
R1466	QRZ9009-2R2	F R	2.2Ω 1/2W J	
R1467	QRE141J-333Y	C R	33kΩ 1/4W J	
R1468	QRE141J-102Y	C R	1kΩ 1/4W J	
R1469	QRE141J-222Y	C R	2.2kΩ 1/4W J	
R1470	QRE141J-102Y	C R	1kΩ 1/4W J	
R1474	QRE141J-102Y	C R	1kΩ 1/4W J	
R1475	QRE141J-563Y	C R	56kΩ 1/4W J	
R1476	QRE141J-124Y	C R	120kΩ 1/4W J	
R1477	QRE141J-124Y	C R	120kΩ 1/4W J	
R1478	QRE121J-103Y	C R	10kΩ 1/2W J	
R1479	QRE141J-102Y	C R	1kΩ 1/4W J	
R1480	QRE121J-392Y	C R	3.9kΩ 1/2W J	
R1481	QRE141J-102Y	C R	1kΩ 1/4W J	
R1482	QRE121J-123Y	C R	12kΩ 1/2W J	
R1483	QRL039J-330	OM R	33Ω 3W J	

△ Symbol No.	Part No.	Part Name	Description	Local
RESISTOR				
R1501	QRE141J-822Y	C R	8.2kΩ 1/4W J	
R1502	QRE141J-621Y	C R	620Ω 1/4W J	
R1504	QRE141J-152Y	C R	1.5kΩ 1/4W J	
R1505	QRE141J-104Y	C R	100kΩ 1/4W J	
R1508	QRE141J-823Y	C R	82kΩ 1/4W J	
R1522	QRE141J-123Y	C R	12kΩ 1/4W J	
R1523	QRE121J-103Y	C R	10kΩ 1/2W J	
R1524	QRG029J-392	OM R	3.9kΩ 2W J	
R1525	QRG029J-472	OM R	4.7kΩ 2W J	
R1526	QRE121J-220Y	C R	22Ω 1/2W J	
R1528	QRE121J-472Y	C R	4.7kΩ 1/2W J	
R1571	QRF104K-5R6	UNF R	5.6Ω 10W K	
R1572	QRA14CF-9101Y	MF R	9.1kΩ 1/4W F	
R1573	QRA14CF-1001Y	MF R	1.0kΩ 1/4W F	
R1574	QRE121J-223Y	C R	22kΩ 1/2W J	
R1575	QRE141J-222Y	C R	2.2kΩ 1/4W J	
R1576	QRE141J-102Y	C R	1kΩ 1/4W J	
R1581	QRE141J-391Y	C R	390Ω 1/4W J	
R1582	QRE141J-124Y	C R	120kΩ 1/4W J	
R1583	QRE141J-154Y	C R	150kΩ 1/4W J	
R1594	QRE141J-822Y	C R	8.2kΩ 1/4W J	
R1595	QRE141J-393Y	C R	39kΩ 1/4W J	
R1652	QRE141J-122Y	C R	1.2kΩ 1/4W J	
R1654	QRE141J-122Y	C R	1.2kΩ 1/4W J	
R1655	QRE141J-104Y	C R	100kΩ 1/4W J	
R1690	QRE121J-4R7Y	C R	4.7Ω 1/2W J	
R1691	QRE121J-4R7Y	C R	4.7Ω 1/2W J	
R1692	QRE141J-561Y	C R	560Ω 1/4W J	
R1693	QRE141J-561Y	C R	560Ω 1/4W J	
R1701	QRE141J-103Y	C R	10kΩ 1/4W J	
R1703	QRE141J-102Y	C R	1kΩ 1/4W J	
R1704	QRE141J-102Y	C R	1kΩ 1/4W J	
R1705	QRE141J-221Y	C R	220Ω 1/4W J	
R1706	QRE141J-221Y	C R	220Ω 1/4W J	
R1707	QRE141J-221Y	C R	220Ω 1/4W J	
R1708	QRE141J-221Y	C R	220Ω 1/4W J	
R1709	QRE141J-682Y	C R	6.8kΩ 1/4W J	
R1710	QRB089J-682	NETW. R	6.8kΩ	
R1711	QRE141J-473Y	C R	47kΩ 1/4W J	
R1712	QRE141J-102Y	C R	1kΩ 1/4W J	
R1713	QRE141J-332Y	C R	3.3kΩ 1/4W J	
R1714	QRE141J-332Y	C R	3.3kΩ 1/4W J	
R1715	QRE141J-221Y	C R	220Ω 1/4W J	
R1720	QRE141J-102Y	C R	1kΩ 1/4W J	
R1721	QRE141J-392Y	C R	3.9kΩ 1/4W J	
R1722	QRE141J-102Y	C R	1kΩ 1/4W J	
R1723	QRE141J-392Y	C R	3.9kΩ 1/4W J	
R1724	QRE141J-102Y	C R	1kΩ 1/4W J	
R1725	QRE141J-392Y	C R	3.9kΩ 1/4W J	
R1726	QRE141J-101Y	C R	100Ω 1/4W J	
R1727	QRE141J-472Y	C R	4.7kΩ 1/4W J	
R1729	QRE141J-124Y	C R	120kΩ 1/4W J	
R1730	QRE141J-683Y	C R	68kΩ 1/4W J	
R1731	QRE141J-563Y	C R	56kΩ 1/4W J	
R1732	QRE141J-223Y	C R	22kΩ 1/4W J	
R1733	QRE141J-103Y	C R	10kΩ 1/4W J	
R1734	QRE141J-103Y	C R	10kΩ 1/4W J	
R1735	QRE141J-223Y	C R	22kΩ 1/4W J	
R1736	QRE141J-153Y	C R	15kΩ 1/4W J	
R1737	QRE141J-103Y	C R	10kΩ 1/4W J	
R1738	QRE141J-821Y	C R	820Ω 1/4W J	
R1739	QRE141J-471Y	C R	470Ω 1/4W J	
R1740	QRE141J-221Y	C R	220Ω 1/4W J	
R1741	QRE141J-221Y	C R	220Ω 1/4W J	
R1742	QRE141J-221Y	C R	220Ω 1/4W J	
R1743	QRE141J-221Y	C R	220Ω 1/4W J	
R1744	QRE141J-221Y	C R	220Ω 1/4W J	
R1746	QRE141J-221Y	C R	220Ω 1/4W J	
R1747	QRE141J-102Y	C R	1kΩ 1/4W J	
R1748	QRE141J-102Y	C R	1kΩ 1/4W J	
R1749	QRE141J-102Y	C R	1kΩ 1/4W J	
R1752	QRE141J-102Y	C R	1kΩ 1/4W J	
R1755	QRE141J-102Y	C R	1kΩ 1/4W J	

△ Symbol No.	Part No.	Part Name	Description	Local	△ Symbol No.	Part No.	Part Name	Description	Local
RESISTOR					CAPACITOR				
R1756	QRE141J-102Y	C R	1kΩ 1/4W	J	C1311	QETN1CM-107Z	E CAP.	100μF 16V	M
R1761	QRE141J-103Y	C R	10kΩ 1/4W	J	C1312	QETN1CM-227Z	E CAP.	220μF 16V	M
R1762	QRE141J-331Y	C R	330Ω 1/4W	J	C1313	QFLC1HJ-103Z	M CAP.	0.01μF 50V	J
R1764	QRE141J-472Y	C R	4.7kΩ 1/4W	J	C1314	QFLC1HJ-103Z	M CAP.	0.01μF 50V	J
R1765	QRE141J-102Y	C R	1kΩ 1/4W	J	C1315	QFLC1HJ-103Z	M CAP.	0.01μF 50V	J
R1766	QRE141J-102Y	C R	1kΩ 1/4W	J	C1321	QCS31HJ-101Z	C CAP.	100pF 50V	K
R1770	QRE141J-102Y	C R	1kΩ 1/4W	J	C1322	QCS31HJ-101Z	C CAP.	100pF 50V	K
R1771	QRE141J-103Y	C R	10kΩ 1/4W	J	C1403	QETN1HM-105Z	E CAP.	1μF 50V	M
R1772	QRE141J-682Y	C R	6.8kΩ 1/4W	J	C1420	QFLC1HJ-152Z	M CAP.	1500pF 50V	J
R1901	QRF154K-1R8	UNF R	1.8Ω 15W	J	C1422	QFLC1HJ-102Z	M CAP.	1000pF 50V	J
R1902	QRL039J-6B3	OM R	68kΩ 3W	J	C1423	QFLC2AJ-393Z	M CAP.	0.039μF 100V	J
R1921	QRE121J-681Y	C R	680Ω 1/2W	J	C1425	QFV71HJ-104Z	TF CAP.	0.1μF 50V	J
R1922	QRM059K-R10	MP R	0.1Ω 5W	K	C1426	QCS32HJ-180Z	C CAP.	18pF 500V	J
R1923	QRT029J-1R2	MF R	1.2Ω 2W	J	C1427	QETM1VM-108	E CAP.	1000μF 35V	M
R1926	QRE121J-222Y	C R	2.2kΩ 1/2W	J	C1428	QETN1VM-107Z	E CAP.	100μF 35V	M
R1928	QRL029J-823	OM R	82kΩ 2W	J	C1429	QFLC1HJ-152Z	M CAP.	1500pF 50V	J
R1929	QRE121J-332Y	C R	3.3kΩ 1/2W	J	C1430	QFLC2AJ-563Z	M CAP.	0.056μF 100V	J
R1930	QRL029J-823	OM R	82kΩ 2W	J	C1431	QCB31HK-221Z	C CAP.	220pF 50V	K
R1932	QRE121J-564Y	C R	560kΩ 1/2W	J	C1432	QCB32HK-221Z	C CAP.	220pF 500V	K
R1934	QRE121J-183Y	C R	18kΩ 1/2W	J	C1434	QETN1CM-227Z	E CAP.	220μF 16V	M
R1935	QRE121J-102Y	C R	1kΩ 1/2W	J	C1436	QFLC2AJ-104Z	M CAP.	0.1μF 100V	J
R1936	QRK126J-6R8X	C R	6.8Ω 1/2W	J	C1451	QETN1HM-106Z	E CAP.	10μF 50V	M
R1937	QRE141J-220Y	C R	22Ω 1/4W	J	C1462	QFLC1HJ-333Z	M CAP.	0.033μF 50V	J
R1938	QRE121J-103Y	C R	10kΩ 1/2W	J	C1463	QEM61EK-225Z	E CAP.	2.2μF 25V	K
R1941	QRE121J-152Y	C R	1.5kΩ 1/2W	J	C1464	QFV71HJ-184Z	TF CAP.	0.18μF 50V	J
R1943	QRE141J-682Y	C R	6.8kΩ 1/4W	J	C1465	QFLC1HJ-823Z	M CAP.	0.082μF 50V	J
R1944	QRE121J-332Y	C R	3.3kΩ 1/2W	J	C1466	QETM1CM-228	E CAP.	2200μF 16V	M
R1946	QRE141J-153Y	C R	15kΩ 1/4W	J	C1467	QFV71HJ-104Z	TF CAP.	0.1μF 50V	J
R1970	QRL029J-180	OM R	18Ω 2W	J	C1468	QFLC1HJ-272Z	M CAP.	2700pF 50V	J
R1971	QRE141J-223Y	C R	22kΩ 1/4W	J	C1471	QCS31HJ-680Z	C CAP.	68pF 50V	J
R1972	QRE121J-152Y	C R	1.5kΩ 1/2W	J	C1472	QCS31HJ-121Z	C CAP.	120pF 50V	K
R1973	QRE141J-223Y	C R	22kΩ 1/4W	J	C1501	QCB31HK-103Z	C CAP.	0.01μF 50V	K
R1974	QRE141J-332Y	C R	3.3kΩ 1/4W	J	C1502	QETN1HM-105Z	E CAP.	1μF 50V	M
R1975	QRE141J-123Y	C R	12kΩ 1/4W	J	C1503	QETM1CM-228	E CAP.	2200μF 16V	M
R1976	QRT029J-2R2	MF R	2.2Ω 2W	J	C1504	QCB31HK-103Z	C CAP.	0.01μF 50V	K
R1977	QRG029J-1B3	OM R	18kΩ 2W	J	C1505	QCB31HK-103Z	C CAP.	0.01μF 50V	K
R1978	QRE121J-152Y	C R	1.5kΩ 1/2W	J	C1506	QCB31HK-103Z	C CAP.	0.01μF 50V	K
R1979	QRE141J-472Y	C R	4.7kΩ 1/4W	J	C1507	QFLC1HJ-332Z	M CAP.	3300pF 50V	J
R1980	QRE141J-821Y	C R	820Ω 1/4W	J	C1508	QETN1AM-107Z	E CAP.	100μF 10V	M
R1981	QRE141J-222Y	C R	2.2kΩ 1/4W	J	C1509	QCB31HK-103Z	C CAP.	0.01μF 50V	K
R1982	QRE141J-822Y	C R	8.2kΩ 1/4W	J	C1521	QCB32HK-151Z	C CAP.	150pF 500V	K
R1984	QRL029J-270	OM R	27Ω 2W	J	C1522	QCB32HK-331Z	C CAP.	330pF 500V	K
△ R1991	QRZ0057-825	C R	8.2MΩ 1W	J	C1523	QHR2CM-105Z	E CAP.	1μF 160V	M
CAPACITOR					CAPACITOR				
C1001	QETN1HM-475Z	E CAP.	4.7μF 50V	M	C1524	QFZ0200-482	MPP CAP.	4800pF 1.5kVH ±3%	
C1002	QETN1CM-108Z	E CAP.	1000μF 16V	M	C1525	QFZ0200-512	MPP CAP.	5100pF 1.5kVH ±3%	
C1003	QETN1HM-106Z	E CAP.	10μF 50V	M	C1526	QFP32GJ-183	PP CAP.	0.018μF 400V	J
C1004	QETN1CM-107Z	E CAP.	100μF 16V	M	C1528	QEZ0195-475Z	E CAP.	4.7μF 50V	M
C1005	QCB31HK-103Z	C CAP.	0.01μF 50V	K	C1530	QCB32HK-561Z	C CAP.	560pF 500V	K
C1006	QCB31HK-103Z	C CAP.	0.01μF 50V	K	C1552	QETN1EM-108Z	E CAP.	1000μF 25V	M
C1007	QCB31HK-103Z	C CAP.	0.01μF 50V	K	C1554	QETN1EM-108Z	E CAP.	1000μF 25V	M
C1015	QCB31HK-222Z	C CAP.	2200pF 50V	K	C1557	QETN2EM-106Z	E CAP.	10μF 250V	M
C1201	QETN1CM-107Z	E CAP.	100μF 16V	M	C1571	QETN1CM-107Z	E CAP.	100μF 16V	M
C1202	QFV71HJ-104Z	TF CAP.	0.1μF 50V	J	C1572	QETN1EM-476Z	E CAP.	47μF 25V	M
C1203	QETN1HM-105Z	E CAP.	1μF 50V	M	C1581	QFV71HJ-104Z	TF CAP.	0.1μF 50V	J
C1204	QFV71HJ-104Z	TF CAP.	0.1μF 50V	J	C1651	QENC1EM-106Z	BP E CAP.	10μF 25V	M
C1205	QETN1HM-475Z	E CAP.	4.7μF 50V	M	C1652	QENC1EM-106Z	BP E CAP.	10μF 25V	M
C1206	QFLC1HJ-103Z	M CAP.	0.01μF 50V	J	C1653	QETN1EM-227Z	E CAP.	220μF 25V	M
C1207	QETN1CM-107Z	E CAP.	100μF 16V	M	C1673	QCS31HJ-221Z	C CAP.	220pF 50V	J
C1208	QETN1CM-107Z	E CAP.	100μF 16V	M	C1674	QCS31HJ-221Z	C CAP.	220pF 50V	J
C1209	QCB31HK-103Z	C CAP.	0.01μF 50V	K	C1677	QETN1EM-107Z	E CAP.	100μF 25V	M
C1210	QETN1HM-106Z	E CAP.	10μF 50V	M	C1678	QETN1EM-107Z	E CAP.	100μF 25V	M
C1212	QETN1HM-106Z	E CAP.	10μF 50V	M	C1681	QETM1EM-228	E CAP.	2200μF 25V	M
C1301	QFLC1HJ-823Z	M CAP.	0.082μF 50V	J	C1682	QFV71HJ-104Z	TF CAP.	0.1μF 50V	J
C1302	QCB31HK-103Z	C CAP.	0.01μF 50V	K	C1683	QFV71HJ-104Z	TF CAP.	0.1μF 50V	J
C1303	QDC31HJ-120Z	C CAP.	12pF 50V	J	C1684	QETN1EM-108Z	E CAP.	1000μF 25V	M
C1304	QFV71HJ-104Z	TF CAP.	0.1μF 50V	J	C1685	QETN1EM-108Z	E CAP.	1000μF 25V	M
C1305	QFV71HJ-104Z	TF CAP.	0.1μF 50V	J	C1686	QETN1EM-476Z	E CAP.	47μF 25V	M
C1306	QFV71HJ-104Z	TF CAP.	0.1μF 50V	J	C1687	QETN1EM-476Z	E CAP.	47μF 25V	M
C1307	QETN1HM-225Z	E CAP.	2.2μF 50V	M	C1688	QFV71HJ-104Z	TF CAP.	0.1μF 50V	J
C1308	QFLC1HJ-103Z	M CAP.	0.01μF 50V	J	C1689	QFV71HJ-104Z	TF CAP.	0.1μF 50V	J
C1309	QETN1HM-475Z	E CAP.	4.7μF 50V	M	C1701	QETN1EM-227Z	E CAP.	220μF 25V	M
C1310	QCB31HK-103Z	C CAP.	0.01μF 50V	K	C1702	QFV71HJ-104Z	TF CAP.	0.1μF 50V	J
C1703	QETN1EM-107Z	E CAP.	100μF 25V	M	C1704	QFLC1HJ-103Z	M CAP.	0.01μF 50V	J
C1704	QFLC1HJ-103Z	M CAP.	0.01μF 50V	J	C1705	QETN1AM-107Z	E CAP.	100μF 10V	M
C1705	QETN1AM-107Z	E CAP.	100μF 10V	M	C1707	QETN1HM-106Z	E CAP.	10μF 50V	M
C1707	QETN1HM-106Z	E CAP.	10μF 50V	M					

Symbol No.	Part No.	Part Name	Description	Local
CAPACITOR				
C1710	QFLC1HJ-103Z	M CAP.	0.01μF 50V	J
C1711	QFV71HJ-104Z	TF CAP.	0.1μF 50V	J
C1712	QETN1AM-107Z	E CAP.	100μF 10V	M
C1713	QCS31HJ-271Z	C CAP.	270pF 50V	J
C1714	QFV71HJ-104Z	TF CAP.	0.1μF 50V	J
C1715	QFLC1HJ-473Z	M CAP.	0.047μF 50V	J
C1718	QFLC1HJ-272Z	M CAP.	2700pF 50V	J
C1719	QCB31HK-102Z	C CAP.	1000pF 50V	K
C1724	QDC31HJ-560Z	C CAP.	56pF 50V	J
C1725	QDC31HJ-560Z	C CAP.	56pF 50V	J
C1726	QCS31HJ-101Z	C CAP.	100pF 50V	K
C1727	QFLC1HJ-103Z	M CAP.	0.01μF 50V	J
C1728	QCB31HK-103Z	C CAP.	0.01μF 50V	K
C1729	QCB31HK-103Z	C CAP.	0.01μF 50V	K
C1730	QCS31HJ-181Z	C CAP.	180pF 50V	J
C1731	QFLC1HJ-103Z	M CAP.	0.01μF 50V	J
△ C1902	QFZ9040-104	MF CAP.	0.1μF AC275V	M
△ C1903	QFZ9040-473	MF CAP.	0.047μF AC275V	M
C1904	QCZ9054-102	C CAP.	1000pF AC250V	Z
C1905	QCZ9054-102	C CAP.	1000pF AC250V	Z
C1906	QCZ9054-102	C CAP.	1000pF AC250V	Z
C1907	QCZ9054-102	C CAP.	1000pF AC250V	Z
C1909	QEZO371-337	E CAP.	330μF 400V	M
C1921	QCZ0122-561	C CAP.	560pF 2kV	K
C1922	QCS31HJ-471Z	C CAP.	470pF 50V	J
C1924	QETN1VM-107Z	E CAP.	100μF 35V	M
C1926	QFLC1HJ-222Z	M CAP.	2200pF 50V	J
C1929	QCB32HK-103	C CAP.	0.01μF 500V	K
C1930	QCZ0122-561	C CAP.	560pF 2kV	K
C1931	QCZ0325-271	C CAP.	270pF 2kV	K
C1932	QETN1HM-227Z	E CAP.	220μF 50V	M
C1933	QFV71HJ-104Z	TF CAP.	0.1μF 50V	J
C1941	QCZ0122-391	C CAP.	390pF 2kV	K
C1942	QEZO203-227	E CAP.	220μF 160V	M
C1943	QEZO203-476	E CAP.	47μF 160V	M
C1945	QEHR1EM-108Z	E CAP.	1000μF 25V	M
C1948	QEHQ1EM-228	E CAP.	2200μF 25V	M
C1949	QCB31HK-471Z	C CAP.	470pF 50V	K
C1950	QFV71HJ-104Z	TF CAP.	0.1μF 50V	J
C1952	QEHR1CM-108Z	E CAP.	1000μF 16V	M
C1972	QEHR1AM-108Z	E CAP.	1000μF 10V	M
C1973	QEHR1EM-107Z	E CAP.	100μF 25V	M
C1974	QEHR1CM-107Z	E CAP.	100μF 16V	M
C1975	QEHR1CM-107Z	E CAP.	100μF 16V	M
C1976	QEHR1CM-107Z	E CAP.	100μF 16V	M
C1977	QEHQ1CM-228	E CAP.	2200μF 16V	M
C1978	QETN1AM-107Z	E CAP.	100μF 10V	M
△ C1991	QCZ9079-471	C CAP.	470pF AC250V	K
△ C1992	QCZ9079-471	C CAP.	470pF AC250V	K
△ C1993	QCZ9079-152	C CAP.	1500pF AC250V	K

TRANSFORMER

T1521	CE42034-002	HOR DRIVE TRANSF.
△ T1522	QOH0061-001	H.V. TRANSF.
△ T1921	QOS0047-001	SW TRANSF.

COIL

K1201	QQL05BK-4R7Z	COIL	4.7μH	K
L1001	QQL05BK-8R2Z	COIL	8.2μH	K
L1201	CE41433-001Z	BEADS CORE		
L1301	QQL244K-470Z	COIL	47μH	K
L1302	QQL244K-470Z	COIL	47μH	K
L1521	QQR1017-001	CHOKO COIL		
L1522	QQR1045-001	LINIARITY COIL		
L1551	QQL2018-860	HEATER CHOKO		
L1701	QQL244K-8R2Z	COIL	8.2μH	K
L1702	QQL244K-5R6Z	COIL	5.6μH	K
L1703	QQL244K-100Z	COIL	10μH	K
L1941	QQL42AK-820Z	CHOKO COIL	82μH	K
L1942	QQL42AK-820Z	CHOKO COIL	82μH	K
L1943	QQL42AK-820Z	CHOKO COIL	82μH	K

Symbol No.	Part No.	Part Name	Description	Local
DIODE				
D1001	MTZJ33A-T2	ZENER DIODE		
D1204	1SS133-T2	SI DIODE		
D1421	MTZJ8.2B-T2	ZENER DIODE		
D1423	1SR124-400A-T2	SI DIODE		
D1426	1SS133-T2	SI DIODE		
D1452	MTZJ22B-T2	ZENER DIODE		
D1453	1SS133-T2	SI DIODE		
D1461	MTZJ3.9B-T2	ZENER DIODE		
D1462	MTZJ12C-T2	ZENER DIODE		
D1501	MTZJ9.1C-T2	ZENER DIODE		
D1521	RH3G-F1	SI DIODE		
D1522	RU30-F1	SI DIODE		
D1551	RGP10J-TS-T3	SI DIODE		
D1552	RGP10J-TS-T3	SI DIODE		
D1553	RGP10J-TS-T3	SI DIODE		
D1554	RGP10J-TS-T3	SI DIODE		
D1571	MTZJ7.5B-T2	ZENER DIODE		
D1572	1SS133-T2	SI DIODE		
D1581	MTZJ6.8A-T2	ZENER DIODE		
D1582	RGP10J-5025-T3	SI DIODE		
D1701	1SS133-T2	SI DIODE		
D1702	1SS133-T2	SI DIODE		
D1703	1SS133-T2	SI DIODE		
D1706	MTZJ8.2B-T2	ZENER DIODE		
D1707	MTZJ8.2B-T2	ZENER DIODE		
D1708	MTZJ8.2B-T2	ZENER DIODE		
D1709	MTZJ8.2B-T2	ZENER DIODE		
D1710	MTZJ8.2B-T2	ZENER DIODE		
D1713	1SS133-T2	SI DIODE		
D1716	1SS133-T2	SI DIODE		
D1717	1SS133-T2	SI DIODE		
D1721	1SS133-T2	SI DIODE		
D1722	1SS133-T2	SI DIODE		
D1901	D3SB60	BRIDGE DIODE		
D1921	1SR124-400A-T2	SI DIODE		
D1922	1SS133-T2	SI DIODE		
D1924	1SS133-T2	SI DIODE		
D1926	RU1C-LFC4	SI DIODE		
D1927	MTZJ6.8A-T2	ZENER DIODE		
D1928	1SS133-T2	SI DIODE		
D1929	MTZJ15A-T2	ZENER DIODE		
D1932	MTZJ27B-T2	ZENER DIODE		
D1933	MTZJ18A-T2	ZENER DIODE		
D1934	1SS133-T2	SI DIODE		
D1941	RU30A-F1	SI DIODE		
D1942	ERC30-02L38	SI DIODE		
D1943	ERC30-02L38	SI DIODE		
D1944	MTZJ5.6B-T2	ZENER DIODE		
D1945	RGP10J-5025-T3	SI DIODE		
D1946	1SR124-400A-T2	SI DIODE		
D1981	1SS133-T2	SI DIODE		
D1982	1SS133-T2	SI DIODE		
D1983	1SS133-T2	SI DIODE		
D1984	1SS133-T2	SI DIODE		
D1986	MTZJ4.7A-T2	ZENER DIODE		
D1987	1SS133-T2	SI DIODE		

TRANSISTOR

Q1201	2SA933AS/QR/-T	SI TRANSISTOR		
Q1302	2SC1740S/QR/-T	SI TRANSISTOR		
Q1422	2SC1740S/QR/-T	SI TRANSISTOR		
Q1423	2SC1740S/QR/-T	SI TRANSISTOR		
Q1424	2SC1740S/QR/-T	SI TRANSISTOR		
Q1451	2SC1815/YG/-T	SI TRANSISTOR		
Q1452	2SC1815/YG/-T	SI TRANSISTOR		
Q1461	2SC1740S/QR/-T	SI TRANSISTOR		
Q1462	2SD1408/OY/-LB	POWER TRANSISTOR		
Q1521	BSN304-T	TRANSISTOR		
Q1522	2SD2333-RL	PW TRANSISTOR		H. OUT
Q1571	2SA1208/ST/Z1-T	SI TRANSISTOR		
Q1651	DTC323TS-T	DIGI TRANSISTOR		
Q1652	DTC323TS-T	DIGI TRANSISTOR		
Q1653	2SA933AS/QR/-T	SI TRANSISTOR		
Q1701	2SA933AS/QR/-T	SI TRANSISTOR		

Symbol No.	Part No.	Part Name	Description	Local
TRANSISTOR				
Q1702	2SC1740S/QR/-T	SI TRANSISTOR		
Q1703	2SC1740S/QR/-T	SI TRANSISTOR		
Q1922	2SC1740S/QR/-T	SI TRANSISTOR		
Q1941	2SC2240/GL/-T	SI TRANSISTOR		
Q1942	DTC144GSA-T	DIGI TRANSISTOR		
Q1971	2SA966/OY/-T	SI TRANSISTOR		
Q1972	DTC144GSA-T	DIGI TRANSISTOR		
Q1973	2SA966/OY/-T	SI TRANSISTOR		
Q1974	DTC144GSA-T	DIGI TRANSISTOR		
Q1981	2SA933AS/QR/-T	SI TRANSISTOR		

IC

IC1201	TB1227CN	IC		
IC1421	LA7840	IC		
IC1451	TA8859CP	IC		
IC1681	LA4446	IC		
IC1701	M37204MC-D47SP	IC (MICROCOMPUTER)		
IC1702	AT24C08-AV21PS	IC (MEMORY)	(Service)	
IC1703	L78LRO5E-MA	IC (5V REG/RESET)		
IC1921	STR-F6655/F9	IC (SW REG)		
IC1941	SE135N	IC		
IC1971	BA17812T	IC (12V REG)		
IC1972	BA09T	IC (9V REG)		
IC1973	BA05T	IC (5V REG)		
IC1974	AN78L05-T	IC (5V REG)		

OTHERS

CN1002	QGF1220C2-25	FFC/FPC CONNECTOR		
△ CP1942	ICP-N75-Y	IC PROTECTOR		
△ CP1944	ICP-N5-Y	IC PROTECTOR		
△ CP1945	ICP-N75-Y	IC PROTECTOR		
EF1201	CE42142-222Z	EMI FILTER		
△ FR1551	QRZ9017-4R7	F R	4.7Ω 1/4W J	
△ FR1552	QRZ9021-1R5	F R	1.5Ω 1W J	
△ FR1553	QRZ9021-1R5	F R	1.5Ω 1W J	
FR1554	QRJ149J-150	C R	15Ω 1/4W J	
K1002	CE41433-001Z	BEADS CORE		
K1421	CE41433-001Z	BEADS CORE		
K1501	CE41433-001Z	BEADS CORE		
K1921	QQR0872-001Y	FERRITE BEADS		
K1922	QQR0872-001Y	FERRITE BEADS		
K1923	CE41433-001Z	BEADS CORE		
K1941	QQR0872-001Y	FERRITE BEADS		
K1942	CE42050-001Z	CORE SLEEVE		
K1944	CE42050-001Z	CORE SLEEVE		
K1947	CE42050-001Z	CORE SLEEVE		
△ LF1902	QQR0527-003	LINE FILTER		
△ PC1921	PC123F2	PHOTO COUPLER		
PSMADE	CEMS009-064	IC SOCKET		
PSMADE	CEMS007-008	IC SOCKET		
TU1001	CEEM574-B02	CABLE TUNER		
X1301	QAX0354-001	XTAL		
X1701	CST8.00MTW	C RESONATOR		
Y1201	CE41433-001Z	BEADS CORE		

INNER PIN P.W. BOARD ASS'Y (SCM-2102A-H2)

Symbol No.	Part No.	Part Name	Description	Local
RESISTOR				
R2513	QRL039J-103	OM R	10kΩ 3W J	

CAPACITOR

C2505	QETN2EM-225Z	E. CAP	2.2μF 250V M	
C2551	QFZ0119-304	MPP CAP.	0.3μF 200V ±3%	

DIODE

D2507	RU2-T3	SI DIODE		
-------	--------	----------	--	--

CRT SOCKET P.W. BOARD ASS'Y (SCM-3302A-H2)

Symbol No.	Part No.	Part Name	Description	Local
------------	----------	-----------	-------------	-------

RESISTOR

R3101	NRSA02J-101X	CH MG R	100Ω 1/10W J	
R3102	NRSA02J-101X	CH MG R	100Ω 1/10W J	
R3103	NRSA02J-101X	CH MG R	100Ω 1/10W J	
R3107	QRE121J-152Y	C R	1.5kΩ 1/2W J	
R3108	QRE121J-152Y	C R	1.5kΩ 1/2W J	
R3109	QRE121J-152Y	C R	1.5kΩ 1/2W J	
R3110	NRSA02J-181X	CH MG R	180Ω 1/10W J	
R3111	NRSA02J-181X	CH MG R	180Ω 1/10W J	
R3112	NRSA02J-181X	CH MG R	180Ω 1/10W J	
R3113	NRSA02J-470X	CH MG R	47Ω 1/10W J	
R3114	NRSA02J-470X	CH MG R	47Ω 1/10W J	
R3115	NRSA02J-470X	CH MG R	47Ω 1/10W J	
R3116	QRL029J-153	OM R	15kΩ 2W J	
R3117	QRL029J-153	OM R	15kΩ 2W J	
R3118	QRL029J-153	OM R	15kΩ 2W J	
R3119	QRL029J-183	OM R	18kΩ 2W J	
R3120	QRL029J-183	OM R	18kΩ 2W J	
R3121	QRL029J-183	OM R	18kΩ 2W J	
R3125	QRZ0107-102Z	C R	1kΩ 1/2W K	
R3126	QRZ0107-102Z	C R	1kΩ 1/2W K	
R3127	QRZ0107-102Z	C R	1kΩ 1/2W K	
R3128	NRSA02J-182X	CH MG R	1.8kΩ 1/10W J	
R3130	QRG01GJ-101	OM R	100Ω 1W J	
R3131	NRSA02J-101X	CH MG R	100Ω 1/10W J	
R3132	NRSA02J-101X	CH MG R	100Ω 1/10W J	
R3133	NRSA02J-101X	CH MG R	100Ω 1/10W J	
R3135	QRZ0107-474Z	C R	470kΩ 1/2W K	
R3136	QRE121J-474Y	C R	470kΩ 1/2W J	
R3151	NRSA02J-102X	CH MG R	1kΩ 1/10W J	
R3152	NRSA02J-562X	CH MG R	5.6kΩ 1/10W J	
R3154	NRSA02J-560X	CH MG R	56Ω 1/10W J	
R3301	NRSA02J-0R0X	CH MG R	0.0Ω 1/10W J	
R3303	NRSA02J-152X	CH MG R	1.5kΩ 1/10W J	
R3312	NRSA02J-153X	CH MG R	15kΩ 1/10W J	
R3313	NRSA02J-152X	CH MG R	1.5kΩ 1/10W J	
R3314	NRSA02J-680X	CH MG R	68Ω 1/10W J	
R3315	NRSA02J-221X	CH MG R	220Ω 1/10W J	
R3316	NRSA02J-182X	CH MG R	1.8kΩ 1/10W J	
R3317	NRSA02J-470X	CH MG R	47Ω 1/10W J	
R3318	QRJ146J-100X	C R	10Ω 1/4W J	
R3319	NRSA02J-470X	CH MG R	47Ω 1/10W J	
R3320	NRSA02J-122X	CH MG R	1.2kΩ 1/10W J	
R3321	NRSA02J-390X	CH MG R	39Ω 1/10W J	
R3322	QRE121J-2R7Y	C R	2.7Ω 1/2W J	
R3323	QRE121J-563Y	C R	56kΩ 1/2W J	
R3324	QRE121J-563Y	C R	56kΩ 1/2W J	
R3325	NRSA02J-122X	CH MG R	1.2kΩ 1/10W J	
R3326	QRE121J-2R7Y	C R	2.7Ω 1/2W J	
R3327	NRSA02J-390X	CH MG R	39Ω 1/10W J	
R3328	QRE121J-121Y	C R	120Ω 1/2W J	
R3329	QRL029J-391	OM R	390Ω 2W J	
R3332	NRSA02J-823X	CH MG R	82kΩ 1/10W J	
R3404	NRSA02J-102X	CH MG R	1kΩ 1/10W J	

Symbol No.	Part No.	Part Name	Description	Local
RESISTOR				
R3405	NRSA02J-153X	CH MG R	15kΩ 1/10W	J
R3407	NRSA02J-102X	CH MG R	1kΩ 1/10W	J
R3408	NRSA02J-222X	CH MG R	2.2kΩ 1/10W	J
R3409	NRSA02J-102X	CH MG R	1kΩ 1/10W	J
R3410	NRSA02J-472X	CH MG R	4.7kΩ 1/10W	J
R3411	NRSA02J-472X	CH MG R	4.7kΩ 1/10W	J
R3412	NRSA02J-102X	CH MG R	1kΩ 1/10W	J
R3413	NRSA02J-123X	CH MG R	12kΩ 1/10W	J
R3414	NRSA02J-152X	CH MG R	1.5kΩ 1/10W	J
R3415	NRSA02J-152X	CH MG R	1.5kΩ 1/10W	J
R3416	NRSA02J-103X	CH MG R	10kΩ 1/10W	J
R3417	NRSA02J-151X	CH MG R	150Ω 1/10W	J
R3418	NRSA02J-151X	CH MG R	150Ω 1/10W	J
R3419	NRSA02J-151X	CH MG R	150Ω 1/10W	J
R3420	NRSA02J-103X	CH MG R	10kΩ 1/10W	J
R3421	NRSA02J-682X	CH MG R	6.8kΩ 1/10W	J
R3422	NRSA02J-682X	CH MG R	6.8kΩ 1/10W	J
R3423	NRSA02J-682X	CH MG R	6.8kΩ 1/10W	J

CAPACITOR

C3101	NCS21HJ-391X	CH C CAP.	390pF	50V	J
C3102	NCS21HJ-391X	CH C CAP.	390pF	50V	J
C3103	NCS21HJ-391X	CH C CAP.	390pF	50V	J
C3104	QETN1CM-107Z	E CAP.	100μF	16V	M
C3105	QETN1CM-107Z	E CAP.	100μF	16V	M
C3106	QFV71HJ-104Z	TF CAP.	0.1μF	50V	J
C3107	QETN1HM-106Z	E CAP.	10μF	50V	M
C3112	QCZ0131-47Z	C CAP.	4700pF	2kV	K
C3113	QCZ0121-10Z	C CAP.	1000pF	3kV	Z
C3114	QETM2EM-33Z	E CAP.	33μF	250V	M
C3301	QETN1HM-106Z	E CAP.	10μF	50V	M
C3302	NDC21HJ-820X	CH C CAP.	82pF	50V	J
C3304	QFLC1HJ-103Z	M CAP.	0.01μF	50V	J
C3305	QETN1HM-335Z	E CAP.	3.3μF	50V	M
C3306	QETN1CM-107Z	E CAP.	100μF	16V	M
C3307	QCS31HJ-5R0Z	C CAP.	5pF	50V	J
C3308	QETN2CM-106Z	E CAP.	10μF	160V	M
C3309	QCB32HK-472Z	C CAP.	4700pF	500V	K
C3310	QETN2CM-106Z	E CAP.	10μF	160V	M
C3312	QCB32HK-472Z	C CAP.	4700pF	500V	K
C3314	QETN1CM-107Z	E CAP.	100μF	16V	M
C3315	QCS32HJ-680Z	C CAP.	68pF	500V	J
C3316	QETN1CM-107Z	E CAP.	100μF	16V	M
C3317	QETN1CM-337Z	E CAP.	330μF	16V	M
C3411	NDC21HJ-390X	CH C CAP.	39pF	50V	J

COIL

K3301	CE41492-001Z	CHOKE COIL
K3302	CE41492-001Z	CHOKE COIL
K3303	CE41492-001Z	CHOKE COIL
K3304	CE41492-001Z	CHOKE COIL

DIODE

D3151	MA111-X	CHIP DIODE
D3153	MA111-X	CHIP DIODE
D3154	MA111-X	CHIP DIODE
D3155	MA111-X	CHIP DIODE
D3156	MA3056/H/-X	CHIP ZENER DIODE
D3157	MA3051/L/-X	CHIP ZENER DIODE
D3158	MA111-X	CHIP DIODE
D3159	MA3051/H/-X	CHIP ZENER DIODE
D3160	MA111-X	CHIP DIODE
D3161	MA3051/H/-X	CHIP ZENER DIODE
D3162	MA111-X	CHIP DIODE
D3163	MA3150/M/-X	CHIP ZENER DIODE
D3302	RH15-T3	SI DIODE
D3303	RH15-T3	SI DIODE
D3304	MA111-X	CHIP DIODE
D3305	MA111-X	CHIP DIODE

Symbol No.	Part No.	Part Name	Description	Local
DIODE				
D3401	MA111-X	CHIP DIODE		
D3402	MA111-X	CHIP DIODE		
D3403	MA111-X	CHIP DIODE		
D3405	MA3150/M/-X	CHIP ZENER DIODE		
D3406	MA111-X	CHIP DIODE		
D3409	MA111-X	CHIP DIODE		
D3410	MA111-X	CHIP DIODE		
D3411	MA111-X	CHIP DIODE		
D3412	MA111-X	CHIP DIODE		
D3413	MA111-X	CHIP DIODE		
D3414	MA111-X	CHIP DIODE		

TRANSISTOR

Q3101	2SC1740S/QR/-T	SI TRANSISTOR
Q3102	2SC1740S/QR/-T	SI TRANSISTOR
Q3103	2SC1740S/QR/-T	SI TRANSISTOR
Q3104	2SC5147/CDE/F43	POWER TRANSISTOR
Q3105	2SC5147/CDE/F43	POWER TRANSISTOR
Q3106	2SC5147/CDE/F43	POWER TRANSISTOR
Q3151	2SA933AS/QR/-T	SI TRANSISTOR
Q3152	2SC1740S/QR/-T	SI TRANSISTOR
Q3304	2SC1740S/QR/-T	SI TRANSISTOR
Q3305	2SC1740S/QR/-T	SI TRANSISTOR
Q3306	2SA933AS/QR/-T	SI TRANSISTOR
Q3307	2SA1837	POWER TRANSISTOR
Q3308	2SC4793	POWER TRANSISTOR
Q3404	2SC1740S/QR/-T	SI TRANSISTOR
Q3405	2SC1740S/QR/-T	SI TRANSISTOR
Q3406	2SC2412K/QR/-X	CHIP TRANSISTOR
Q3407	2SC2412K/QR/-X	CHIP TRANSISTOR

OTHERS

△ FR3330	QRZ9021-561	F R	560Ω	1W	J
△ SK3001	CE42446-001	CRT SOCKET			

**FRONT CONTROL P.W. BOARD ASS'Y
(SCM-8302A-H2)**

△ Symbol No.	Part No.	Part Name	Description	Local
RESISTOR				
R8001	NRSA02J-391X	CH MG R	390Ω 1/10W	J
R8002	NRSA02J-821X	CH MG R	820Ω 1/10W	J
R8003	NRSA02J-682X	CH MG R	6.8kΩ 1/10W	J
R8004	NRSA02J-103X	CH MG R	10kΩ 1/10W	J
R8005	NRSA02J-332X	CH MG R	3.3kΩ 1/10W	J
R8006	NRSA02J-682X	CH MG R	6.8kΩ 1/10W	J
R8007	NRSA02J-103X	CH MG R	10kΩ 1/10W	J
R8008	NRSA02J-332X	CH MG R	3.3kΩ 1/10W	J
R8011	NRSA02J-222X	CH MG R	2.2kΩ 1/10W	J
R8012	NRSA02J-562X	CH MG R	5.6kΩ 1/10W	J
R8013	NRSA02J-562X	CH MG R	5.6kΩ 1/10W	J
R8014	NRSA02J-472X	CH MG R	4.7kΩ 1/10W	J
R8015	NRSA02J-224X	CH MG R	220kΩ 1/10W	J
R8016	NRSA02J-102X	CH MG R	1kΩ 1/10W	J
R8018	QRK126J-271X	C R	270Ω 1/2W	J
R8019	QRK126J-271X	C R	270Ω 1/2W	J
R8020	NRSA02J-102X	CH MG R	1kΩ 1/10W	J
R8021	NRSA02J-471X	CH MG R	470Ω 1/10W	J
R8022	NRSA02J-681X	CH MG R	680Ω 1/10W	J
R8401	NRSA02J-221X	CH MG R	220Ω 1/10W	J
R8402	NRSA02J-820X	CH MG R	82Ω 1/10W	J
R8403	NRSA02J-102X	CH MG R	1kΩ 1/10W	J
R8404	NRSA02J-224X	CH MG R	220kΩ 1/10W	J
R8405	NRSA02J-102X	CH MG R	1kΩ 1/10W	J
R8406	NRSA02J-224X	CH MG R	220kΩ 1/10W	J
R8901	QRZ0202-121	UNF R	120Ω 15W	J

CAPACITOR

C8010	QETN1HM-106Z	E CAP.	10μF 50V	M
C8015	QETN1EM-476Z	E CAP.	47μF 25V	M
C8016	NCF21EZ-104X	CH C CAP.	0.1μF 25V	Z
C8403	QETN1HM-106Z	E CAP.	10μF 50V	M
C8404	QETN1HM-105Z	E CAP.	1μF 50V	M
C8405	QETN1HM-105Z	E CAP.	1μF 50V	M
△ C8901	QFZ9040-104	MF CAP.	0.1μF AC275V	M

DIODE

D8001	SLR-342DU-T16	LED (ORG)		
D8002	SLR-342VR-T16	LED (RED)		
D8004	SPR-39MVWF	LED 3 (G+R)		
D8005	P1241-04	CDS		
D8006	MA111-X	CHIP DIODE		
D8007	MA111-X	CHIP DIODE		
D8402	MA3100/M/-X	CHIP ZENER DIODE		
D8403	MA3100/M/-X	CHIP ZENER DIODE		
D8405	MA3100/M/-X	CHIP ZENER DIODE		

TRANSISTOR

Q8001	DTC124EKA-X	DIGI TRANSISTOR		
Q8002	DTA124EKA-X	DIGI TRANSISTOR		
Q8003	DTA124EKA-X	DIGI TRANSISTOR		
Q8005	2SA1162/YG/-X	CHIP TRANSISTOR		
Q8006	DTC124EKA-X	DIGI TRANSISTOR		
Q8007	DTC124EKA-X	DIGI TRANSISTOR		

IC

IC8001	GP1U281Q	IC		
--------	----------	----	--	--

OTHERS

CM35921-005-H	CDS HOLDER			
CM36626-B01-H	LED HOLDER			
CEMG002-001Z	FUSE CLIP (x3)			
△ CN8002	QGF1220C2-25	FFC/FPC CONNECTOR		
F8901	QMF51E2-3R15J4	FUSE	3.15A	
J8001	QMS3004-C01	HEADPHONE JACK		
J8003	QNN0281-003	PIN JACK		

△ Symbol No.	Part No.	Part Name	Description	Local
OTHERS				
J8004	QNN0282-002	PIN JACK		
J8005	QNN0282-001	PIN JACK		
△ LF8901	QQR1035-002	LINE FILTER		
S8002	QSW0619-003Z	PUSH SWITCH		CH+
S8003	QSW0619-003Z	PUSH SWITCH		TV/VIDEO
S8004	QSW0619-003Z	PUSH SWITCH		CH-
S8005	QSW0619-003Z	PUSH SWITCH		VOL+
S8006	QSW0619-003Z	PUSH SWITCH		MENU
S8007	QSW0619-003Z	PUSH SWITCH		VOL-
△ S8901	QSP4K21-C01	PUSH SWITCH		POWER
TH8901	CEKP002-003	W POSISTOR		
TH8902	CEKP002-003	W POSISTOR		
△ VA8901	ERZV10V621CS	VARISTOR		

ALC P.W. BOARD ASS'Y (SCM0A105A-H2)

△ Symbol No.	Part No.	Part Name	Description	Local
RESISTOR				
R0636	NRSA02J-822X	CH MG R	8.2kΩ 1/10W	J
R0637	NRSA02J-822X	CH MG R	8.2kΩ 1/10W	J
R0638	NRSA02J-225X	CH MG R	2.2MΩ 1/10W	J
R0639	NRSA02J-821X	CH MG R	820Ω 1/10W	J
R0640	NRSA02J-822X	CH MG R	8.2kΩ 1/10W	J
R0656	NRSA02J-152X	CH MG R	1.5kΩ 1/10W	J
R0657	NRSA02J-152X	CH MG R	1.5kΩ 1/10W	J
R0658	NRSA02J-152X	CH MG R	1.5kΩ 1/10W	J
R0659	NRSA02J-152X	CH MG R	1.5kΩ 1/10W	J
R0660	NRSA02J-183X	CH MG R	18kΩ 1/10W	J
R0661	NRSA02J-122X	CH MG R	1.2kΩ 1/10W	J
R0662	NRSA02J-122X	CH MG R	1.2kΩ 1/10W	J

CAPACITOR

C0641	QENC1HM-475Z	BP E CAP.	4.7μF 50V	M
C0642	QENC1HM-475Z	BP E CAP.	4.7μF 50V	M
C0643	QETN1HM-475Z	E CAP.	4.7μF 50V	M
C0644	QETN1HM-106Z	E CAP.	10μF 50V	M
C0645	QETN1HM-106Z	E CAP.	10μF 50V	M
C0646	NCB21HK-103X	CH C CAP.	0.01μF 50V	K
C0647	QETN1CM-107Z	E CAP.	100μF 16V	M
C0648	QENC1HM-475Z	BP E CAP.	4.7μF 50V	M
C0649	QENC1HM-475Z	BP E CAP.	4.7μF 50V	M
C0660	QETN1HM-106Z	E CAP.	10μF 50V	M
C0664	NCB21HK-393X	CH C CAP.	0.039μF 50V	K
C0665	NCB21HK-393X	CH C CAP.	0.039μF 50V	K
C0666	QETN1CM-106Z	E CAP.	10μF 16V	M
C0667	QETN1CM-106Z	E CAP.	10μF 16V	M

IC

IC0604	AN5285K	IC		
--------	---------	----	--	--

IF P.W. BOARD ASS'Y (SCM0F302A-H2)

Symbol No.	Part No.	Part Name	Description	Local
RESISTOR				
R0101	NRSA02J-682X	CH MG R	6.8kΩ 1/10W	J
R0102	NRSA02J-181X	CH MG R	180Ω 1/10W	J
R0103	NRSA02J-222X	CH MG R	2.2kΩ 1/10W	J
R0104	NRSA02J-122X	CH MG R	1.2kΩ 1/10W	J
R0105	NRSA02J-680X	CH MG R	68Ω 1/10W	J
R0107	NRSA02J-OR0X	CH MG R	0.0Ω 1/10W	J
R0108	NRSA02J-272X	CH MG R	2.7kΩ 1/10W	J
R0109	NRSA02J-101X	CH MG R	100Ω 1/10W	J
R0110	NRSA02J-103X	CH MG R	10kΩ 1/10W	J
R0111	NRSA02J-561X	CH MG R	560Ω 1/10W	J
R0112	NRSA02J-561X	CH MG R	560Ω 1/10W	J
R0114	NRSA02J-104X	CH MG R	100kΩ 1/10W	J
R0115	NRSA02J-272X	CH MG R	2.7kΩ 1/10W	J
R0116	NRSA02J-273X	CH MG R	27kΩ 1/10W	J
R0117	NRSA02J-224X	CH MG R	220kΩ 1/10W	J
R0118	NRSA02J-822X	CH MG R	8.2kΩ 1/10W	J
R0121	NRSA02J-151X	CH MG R	150Ω 1/10W	J
R0123	NRSA02J-102X	CH MG R	1kΩ 1/10W	J
R0124	NRSA02J-103X	CH MG R	10kΩ 1/10W	J
R0125	NRSA02J-181X	CH MG R	180Ω 1/10W	J
R0126	NRSA02J-681X	CH MG R	680Ω 1/10W	J
R0127	NRSA02J-181X	CH MG R	180Ω 1/10W	J
R0128	NRSA02J-102X	CH MG R	1kΩ 1/10W	J
R0129	NRSA02J-221X	CH MG R	220Ω 1/10W	J
R0130	NRSA02J-331X	CH MG R	330Ω 1/10W	J
R0131	NRSA02J-331X	CH MG R	330Ω 1/10W	J
R0135	NRSA02J-224X	CH MG R	220kΩ 1/10W	J
R0601	NRSA02J-222X	CH MG R	2.2kΩ 1/10W	J
R0602	NRSA02J-332X	CH MG R	3.3kΩ 1/10W	J
R0603	NRSA02J-103X	CH MG R	10kΩ 1/10W	J
R0604	NRSA02J-222X	CH MG R	2.2kΩ 1/10W	J
R0605	NRSA02J-221X	CH MG R	220Ω 1/10W	J
R0606	NRSA02J-152X	CH MG R	1.5kΩ 1/10W	J
R0607	NRSA02J-182X	CH MG R	1.8kΩ 1/10W	J
R0608	NRSA02J-561X	CH MG R	560Ω 1/10W	J
R0609	NRSA02J-471X	CH MG R	470Ω 1/10W	J
R0610	NRSA02J-222X	CH MG R	2.2kΩ 1/10W	J
R0611	NRSA02J-152X	CH MG R	1.5kΩ 1/10W	J
R0612	NRSA02J-471X	CH MG R	470Ω 1/10W	J
R0615	NRSA02J-181X	CH MG R	180Ω 1/10W	J
R0616	NRSA02J-220X	CH MG R	22Ω 1/10W	J
R0617	NRSA02J-821X	CH MG R	820Ω 1/10W	J
R0620	NRSA02J-102X	CH MG R	1kΩ 1/10W	J
R0621	NRSA02J-393X	CH MG R	39kΩ 1/10W	J
R0622	NRSA02J-103X	CH MG R	10kΩ 1/10W	J
R0623	NRSA02J-391X	CH MG R	390Ω 1/10W	J
R0624	NRSA02J-101X	CH MG R	100Ω 1/10W	J
R0625	NRSA02J-561X	CH MG R	560Ω 1/10W	J
R0626	NRSA02J-182X	CH MG R	1.8kΩ 1/10W	J
R0627	NRSA02J-561X	CH MG R	560Ω 1/10W	J
R0628	NRSA02J-561X	CH MG R	560Ω 1/10W	J
CAPACITOR				
C0101	NCB21HK-472X	CH C CAP.	4700pF 50V	K
C0102	NCB21HK-472X	CH C CAP.	4700pF 50V	K
C0103	NCB21HK-472X	CH C CAP.	4700pF 50V	K
C0104	NCB21HK-472X	CH C CAP.	4700pF 50V	K
C0105	NCB21HK-472X	CH C CAP.	4700pF 50V	K
C0106	NCB21HK-472X	CH C CAP.	4700pF 50V	K
C0107	NCB21HK-472X	CH C CAP.	4700pF 50V	K
C0108	NCB21HK-103X	CH C CAP.	0.01μF 50V	K
C0110	NCB21HK-103X	CH C CAP.	0.01μF 50V	K
C0111	NCB21HK-103X	CH C CAP.	0.01μF 50V	K
C0112	NCB21EK-104X	CH C CAP.	0.1μF 25V	K
C0113	NCB21HK-103X	CH C CAP.	0.01μF 50V	K
C0114	QETN1HM-474Z	E CAP.	0.47μF 50V	M
C0116	QETN1HM-474Z	E CAP.	0.47μF 50V	M
C0118	NCB21HK-103X	CH C CAP.	0.01μF 50V	K
C0119	QETN1EM-476Z	E CAP.	47μF 25V	M
C0120	QETN1EM-476Z	E CAP.	47μF 25V	M
C0121	NCB21HK-103X	CH C CAP.	0.01μF 50V	K
C0122	QETN1EM-476Z	E CAP.	47μF 25V	M
C0123	NCB21HK-103X	CH C CAP.	0.01μF 50V	K
C0124	NCB21HK-103X	CH C CAP.	0.01μF 50V	K

Symbol No.	Part No.	Part Name	Description	Local
CAPACITOR				
C0125	NCB21HK-103X	CH C CAP.	0.01μF 50V	K
C0126	NCB21HK-103X	CH C CAP.	0.01μF 50V	K
C0127	NCB21HK-103X	CH C CAP.	0.01μF 50V	K
C0128	NCB21HK-103X	CH C CAP.	0.01μF 50V	K
C0129	NCB21HK-103X	CH C CAP.	0.01μF 50V	K
C0130	QETN1CM-107Z	E CAP.	100μF 16V	M
C0131	QETN1CM-107Z	E CAP.	100μF 16V	M
C0601	QETN1HM-106Z	E CAP.	10μF 50V	M
C0602	NCB21HK-223X	CH C CAP.	0.022μF 50V	K
C0603	NDC21HJ-470X	CH C CAP.	47pF 50V	J
C0604	NDC21HJ-470X	CH C CAP.	47pF 50V	J
C0606	NCB21HK-103X	CH C CAP.	0.01μF 50V	K
C0607	QETN1CM-107Z	E CAP.	100μF 16V	M
C0608	NCB21HK-103X	CH C CAP.	0.01μF 50V	K
C0609	NCB21HK-103X	CH C CAP.	0.01μF 50V	K
C0610	NCB21HK-103X	CH C CAP.	0.01μF 50V	K
C0611	NCB21HK-103X	CH C CAP.	0.01μF 50V	K
C0612	NCB21HK-103X	CH C CAP.	0.01μF 50V	K
TRANSFORMER				
T0101	CELTO01-303J3	CW TRANSF.		
COIL				
L0101	QQLZ014-2R2	COIL	2.2μH	
L0104	QQL244K-120Z	COIL	12μH	K
L0105	QQL244K-8R2Z	COIL	8.2μH	K
L0106	QQL244K-8R2Z	COIL	8.2μH	K
L0601	QQL244K-120Z	COIL	12μH	K
DIODE				
D0101	1SS85-T2	SI DIODE		
D0102	1SS85-T2	SI DIODE		
D0104	MA111-X	CHIP DIODE		
TRANSISTOR				
Q0101	2SC5083/L-P/-T	SI TRANSISTOR		
Q0102	DTC124EKA-X	DIGI TRANSISTOR		
Q0103	2SC2412K/QR/-X	CHIP TRANSISTOR		
Q0104	2SA1037AK/QR/-X	SI TRANSISTOR		
Q0105	DTC124EKA-X	DIGI TRANSISTOR		
Q0106	DTC124EKA-X	DIGI TRANSISTOR		
Q0107	2SC2412K/QR/-X	CHIP TRANSISTOR		
Q0108	2SA1037AK/QR/-X	SI TRANSISTOR		
Q0109	2SA1037AK/QR/-X	SI TRANSISTOR		
Q0110	DTC124EKA-X	DIGI TRANSISTOR		
Q0111	DTC124EKA-X	DIGI TRANSISTOR		
Q0601	2SC2412K/QR/-X	CHIP TRANSISTOR		
Q0602	2SC2412K/QR/-X	CHIP TRANSISTOR		
Q0603	DTC124EKA-X	DIGI TRANSISTOR		
Q0604	2SC2412K/QR/-X	CHIP TRANSISTOR		
Q0605	DTC124EKA-X	DIGI TRANSISTOR		
Q0607	2SA1037AK/QR/-X	SI TRANSISTOR		
Q0608	2SC2412K/QR/-X	CHIP TRANSISTOR		
IC				
IC0101	M523425P	IC		
OTHERS				
CF0101	QAX0472-001	CERAMIC TRAP		
CF0102	QAX0358-001	CERAMIC TRAP		
CF0103	QAX0339-001	CERAMIC TRAP		
CF0104	TPS5.5MW	C TRAP		
CF0105	TPS6.5MB	CERAMIC TRAP		
CF0106	TPSH6.0MB	CERAMIC TRAP		
CF0601	SFSH4.5MCB	CERAMIC FILTER		

Symbol No.	Part No.	Part Name	Description	Local
OTHERS				
CF0604	QAX0336-001	CERAMIC FILTER		
CF0606	QAX0337-001	CERAMIC FILTER		
CF0608	QAX0338-001	CERAMIC FILTER		
SF0101	QAX0323-001	SAW FILTER		
SF0102	QAX0325-001	SAW FILTER		

AV SW P.W. BOARD ASS'Y (SCM0Y502A-H2)

Symbol No.	Part No.	Part Name	Description	Local
RESISTOR				
R0301	NRSA02J-561X	CH MG R	560Ω 1/10W J	
R0302	NRSA02J-821X	CH MG R	820Ω 1/10W J	
R0303	NRSA02J-101X	CH MG R	100Ω 1/10W J	
R0305	NRSA02J-102X	CH MG R	1kΩ 1/10W J	
R0308	NRSA02J-681X	CH MG R	680Ω 1/10W J	
R0309	NRSA02J-562X	CH MG R	5.6kΩ 1/10W J	
R0310	NRSA02J-102X	CH MG R	1kΩ 1/10W J	
R0312	NRSA02J-102X	CH MG R	1kΩ 1/10W J	
R0313	NRSA02J-151X	CH MG R	150Ω 1/10W J	
R0401	NRSA02J-221X	CH MG R	220Ω 1/10W J	
R0402	NRSA02J-820X	CH MG R	82Ω 1/10W J	
R0403	NRSA02J-102X	CH MG R	1kΩ 1/10W J	
R0404	NRSA02J-224X	CH MG R	220kΩ 1/10W J	
R0405	NRSA02J-102X	CH MG R	1kΩ 1/10W J	
R0406	NRSA02J-224X	CH MG R	220kΩ 1/10W J	
R0407	NRSA02J-221X	CH MG R	220Ω 1/10W J	
R0408	NRSA02J-563X	CH MG R	56kΩ 1/10W J	
R0409	NRSA02J-820X	CH MG R	82Ω 1/10W J	
R0410	NRSA02J-820X	CH MG R	82Ω 1/10W J	
R0411	NRSA02J-221X	CH MG R	220Ω 1/10W J	
R0412	NRSA02J-563X	CH MG R	56kΩ 1/10W J	
R0413	NRSA02J-222X	CH MG R	2.2kΩ 1/10W J	
R0414	NRSA02J-221X	CH MG R	220Ω 1/10W J	
R0415	NRSA02J-820X	CH MG R	82Ω 1/10W J	
R0416	NRSA02J-102X	CH MG R	1kΩ 1/10W J	
R0417	NRSA02J-224X	CH MG R	220kΩ 1/10W J	
R0418	NRSA02J-102X	CH MG R	1kΩ 1/10W J	
R0419	NRSA02J-224X	CH MG R	220kΩ 1/10W J	
R0420	NRSA02J-471X	CH MG R	470Ω 1/10W J	
R0421	NRSA02J-680X	CH MG R	68Ω 1/10W J	
R0422	NRSA02J-222X	CH MG R	2.2kΩ 1/10W J	
R0423	NRSA02J-391X	CH MG R	390Ω 1/10W J	
R0424	NRSA02J-391X	CH MG R	390Ω 1/10W J	
R0425	NRSA02J-473X	CH MG R	47kΩ 1/10W J	
R0426	NRSA02J-391X	CH MG R	390Ω 1/10W J	
R0427	NRSA02J-391X	CH MG R	390Ω 1/10W J	
R0428	NRSA02J-473X	CH MG R	47kΩ 1/10W J	
R0429	NRSA02J-0R0X	CH MG R	0.0Ω 1/10W J	
R0430	NRSA02J-0R0X	CH MG R	0.0Ω 1/10W J	
R0431	NRSA02J-563X	CH MG R	56kΩ 1/10W J	
R0432	NRSA02J-104X	CH MG R	100kΩ 1/10W J	
R0433	NRSA02J-101X	CH MG R	100Ω 1/10W J	
R0434	NRSA02J-102X	CH MG R	1kΩ 1/10W J	
R0435	NRSA02J-221X	CH MG R	220Ω 1/10W J	
R0436	NRSA02J-101X	CH MG R	100Ω 1/10W J	
R0437	NRSA02J-471X	CH MG R	470Ω 1/10W J	
R0438	NRSA02J-561X	CH MG R	560Ω 1/10W J	
R0439	NRSA02J-472X	CH MG R	4.7kΩ 1/10W J	
R0440	NRSA02J-472X	CH MG R	4.7kΩ 1/10W J	
R0445	NRSA02J-102X	CH MG R	1kΩ 1/10W J	
R0446	NRSA02J-471X	CH MG R	470Ω 1/10W J	
R0447	NRSA02J-101X	CH MG R	100Ω 1/10W J	
R0448	NRSA02J-101X	CH MG R	100Ω 1/10W J	
R0451	NRSA02J-102X	CH MG R	1kΩ 1/10W J	
R0459	NRSA02J-101X	CH MG R	100Ω 1/10W J	
R0460	NRSA02J-101X	CH MG R	100Ω 1/10W J	
R0463	NRSA02J-472X	CH MG R	4.7kΩ 1/10W J	
R0466	NRSA02J-101X	CH MG R	100Ω 1/10W J	
R0601	NRSA02J-105X	CH MG R	1MΩ 1/10W J	
R0602	NRSA02J-154X	CH MG R	150kΩ 1/10W J	
R0603	NRSA02J-822X	CH MG R	8.2kΩ 1/10W J	
R0604	NRSA02J-182X	CH MG R	1.8kΩ 1/10W J	
R0611	NRSA02J-102X	CH MG R	1kΩ 1/10W J	
R0612	NRSA02J-562X	CH MG R	5.6kΩ 1/10W J	
R0613	NRSA02J-102X	CH MG R	1kΩ 1/10W J	
R0614	NRSA02J-562X	CH MG R	5.6kΩ 1/10W J	
R0615	NRSA02J-562X	CH MG R	5.6kΩ 1/10W J	
R0616	NRSA02J-562X	CH MG R	5.6kΩ 1/10W J	
R0617	NRSA02J-101X	CH MG R	100Ω 1/10W J	
R0618	NRSA02J-101X	CH MG R	100Ω 1/10W J	
R0620	NRSA02J-153X	CH MG R	15kΩ 1/10W J	
R0621	NRSA02J-104X	CH MG R	100kΩ 1/10W J	
R0622	NRSA02J-273X	CH MG R	27kΩ 1/10W J	
R0623	NRSA02J-183X	CH MG R	18kΩ 1/10W J	
R0624	NRSA02J-222X	CH MG R	2.2kΩ 1/10W J	
R0625	NRSA02J-822X	CH MG R	8.2kΩ 1/10W J	

Symbol No.	Part No.	Part Name	Description	Local
RESISTOR				
R0626	NRSA02J-822X	CH MG R	8.2kΩ 1/10W	J
R0627	NRSA02J-222X	CH MG R	2.2kΩ 1/10W	J
R0628	NRSA02J-183X	CH MG R	18kΩ 1/10W	J
R0629	NRSA02J-273X	CH MG R	27kΩ 1/10W	J
R0630	NRSA02J-104X	CH MG R	100kΩ 1/10W	J
R0631	NRSA02J-153X	CH MG R	15kΩ 1/10W	J
R0633	NRSA02J-472X	CH MG R	4.7kΩ 1/10W	J
R0634	NRSA02J-472X	CH MG R	4.7kΩ 1/10W	J
R0640	NRSA02J-102X	CH MG R	1kΩ 1/10W	J
R0641	NRSA02J-102X	CH MG R	1kΩ 1/10W	J

Symbol No.	Part No.	Part Name	Description	Local
CAPACITOR				
C0301	NDC21HJ-270X	CH C CAP.	27pF 50V	J
C0302	QENC1EM-106Z	BP E CAP.	10μF 25V	M
C0303	QETN1CM-107Z	E CAP.	100μF 16V	M
C0305	NDC21HJ-680X	CH C CAP.	68pF 50V	J
C0308	NCB21HK-103X	CH C CAP.	0.01μF 50V	K
C0311	QENC1EM-106Z	BP E CAP.	10μF 25V	M
C0312	QENC1EM-106Z	BP E CAP.	10μF 25V	M
C0313	NCB21HK-103X	CH C CAP.	0.01μF 50V	K
C0314	QETN1HM-106Z	E CAP.	10μF 50V	M
C0315	NCB21HK-103X	CH C CAP.	0.01μF 50V	K
C0401	QENC1EM-106Z	BP E CAP.	10μF 25V	M
C0402	QENC1HM-105Z	BP E CAP.	1μF 50V	M
C0403	QENC1HM-105Z	BP E CAP.	1μF 50V	M
C0404	QENC1EM-106Z	BP E CAP.	10μF 25V	M
C0405	NCB21EK-104X	CH C CAP.	0.1μF 25V	K
C0406	QENC1EM-106Z	BP E CAP.	10μF 25V	M
C0407	QENC1HM-105Z	BP E CAP.	1μF 50V	M
C0408	QENC1HM-105Z	BP E CAP.	1μF 50V	M
C0409	QETN1CM-227Z	E CAP.	220μF 16V	M
C0410	QENC1HM-105Z	BP E CAP.	1μF 50V	M
C0411	QENC1HM-105Z	BP E CAP.	1μF 50V	M
C0412	NDC21HJ-101X	CH C CAP.	100pF 50V	J
C0413	NDC21HJ-101X	CH C CAP.	100pF 50V	J
C0422	QETN1HM-226Z	E CAP.	22μF 50V	M
C0423	QENC1EM-106Z	BP E CAP.	10μF 25V	M
C0424	QENC1EM-106Z	BP E CAP.	10μF 25V	M
C0425	NCB21HK-103X	CH C CAP.	0.01μF 50V	K
C0426	NCB21HK-103X	CH C CAP.	0.01μF 50V	K
C0427	NCB21HK-103X	CH C CAP.	0.01μF 50V	K
C0428	QENC1EM-106Z	BP E CAP.	10μF 25V	M
C0430	NCB21HK-103X	CH C CAP.	0.01μF 50V	K
C0431	QETN1CM-107Z	E CAP.	100μF 16V	M
C0436	NDC21HJ-270X	CH C CAP.	27pF 50V	J
C0448	QETN1HM-106Z	E CAP.	10μF 50V	M
C0527	NDC21HJ-221X	CH C CAP.	220pF 50V	J
C0601	QENC1CM-226Z	BP E CAP.	22μF 16V	M
C0602	QETN1AM-107Z	E CAP.	100μF 10V	M
C0603	NCB21EK-563X	CH C CAP.	0.056μF 25V	K
C0604	NCB21HK-393X	CH C CAP.	0.039μF 50V	K
C0605	QETN1HM-106Z	E CAP.	10μF 50V	M
C0606	QETN1HM-106Z	E CAP.	10μF 50V	M
C0607	QENC1CM-226Z	BP E CAP.	22μF 16V	M
C0608	NCB21HK-103X	CH C CAP.	0.01μF 50V	K
C0609	QETN1HM-105Z	E CAP.	1μF 50V	M
C0610	QENC1CM-226Z	BP E CAP.	22μF 16V	M
C0611	QETN1HM-474Z	E CAP.	0.47μF 50V	M
C0612	QETN1HM-474Z	E CAP.	0.47μF 50V	M
C0613	QETN1HM-226Z	E CAP.	22μF 50V	M
C0614	QETN1CM-227Z	E CAP.	220μF 16V	M
C0615	NCB21HK-272X	CH C CAP.	2700pF 50V	K
C0616	QETN1HM-475Z	E CAP.	4.7μF 50V	M
C0617	NCB21HK-272X	CH C CAP.	2700pF 50V	K
C0618	QETN1HM-225Z	E CAP.	2.2μF 50V	M
C0619	NCB21EK-104X	CH C CAP.	0.1μF 25V	K
C0620	NCB21EK-104X	CH C CAP.	0.1μF 25V	K
C0621	QENC1HM-225Z	BP E CAP.	2.2μF 50V	M
C0622	NCB21EK-104X	CH C CAP.	0.1μF 25V	K
C0623	NCB21EK-104X	CH C CAP.	0.1μF 25V	K
C0624	QETN1HM-475Z	E CAP.	4.7μF 50V	M
C0625	NCB21EK-104X	CH C CAP.	0.1μF 25V	K
C0626	NCB21EK-104X	CH C CAP.	0.1μF 25V	K
C0627	QETN1EM-476Z	E CAP.	47μF 25V	M

Symbol No.	Part No.	Part Name	Description	Local
CAPACITOR				
C0628	NCB21EK-683X	CH C CAP.	0.068μF 25V	K
C0629	NCB21HK-273X	CH C CAP.	0.027μF 50V	K
C0630	NCB21EK-683X	CH C CAP.	0.068μF 25V	K
C0631	QETN1CM-107Z	E CAP.	100μF 16V	M
C0632	NCB21EK-683X	CH C CAP.	0.068μF 25V	K
C0633	NCB21EK-683X	CH C CAP.	0.068μF 25V	K
C0634	NCB21HK-393X	CH C CAP.	0.039μF 50V	K
C0636	NCB21HK-103X	CH C CAP.	0.01μF 50V	K
C0637	NCB21HK-103X	CH C CAP.	0.01μF 50V	K
C0639	NCB21HK-393X	CH C CAP.	0.039μF 50V	K
C0640	QETN1EM-476Z	E CAP.	47μF 25V	M

Symbol No.	Part No.	Part Name	Description	Local
COIL				
L0301	QQL244K-680Z	COIL	68μH	K
L0303	QQL244K-120Z	COIL	12μH	K

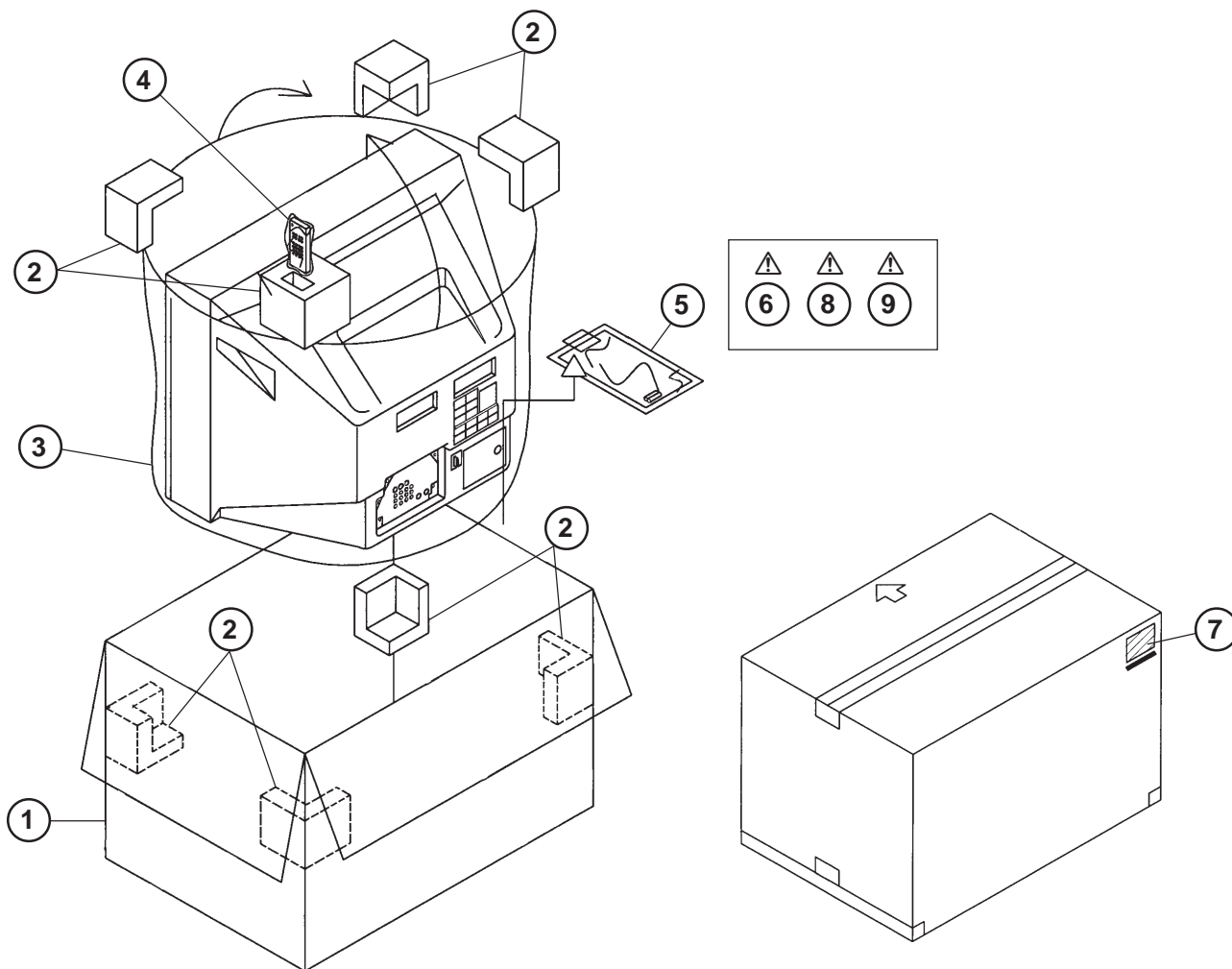
Symbol No.	Part No.	Part Name	Description	Local
DIODE				
D0402	MA111-X	CHIP DIODE		
D0407	MA3100/M/-X	CHIP ZENER DIODE		
D0408	MA3100/M/-X	CHIP ZENER DIODE		
D0410	MA3100/M/-X	CHIP ZENER DIODE		
D0413	MA3100/M/-X	CHIP ZENER DIODE		
D0414	MA3100/M/-X	CHIP ZENER DIODE		
D0415	MA3100/M/-X	CHIP ZENER DIODE		
D0416	MA3100/M/-X	CHIP ZENER DIODE		
D0417	MA3100/M/-X	CHIP ZENER DIODE		
D0418	MA3100/M/-X	CHIP ZENER DIODE		
D0419	MA3100/M/-X	CHIP ZENER DIODE		
D0601	MA111-X	CHIP DIODE		

Symbol No.	Part No.	Part Name	Description	Local
TRANSISTOR				
Q0301	2SC2412K/QR/-X	CHIP TRANSISTOR		
Q0302	2SC2412K/QR/-X	CHIP TRANSISTOR		
Q0303	2SC2412K/QR/-X	CHIP TRANSISTOR		
Q0304	2SA1037AK/QR/-X	SI TRANSISTOR		
Q0401	2SA673/C/-T	TRANSISTOR		
Q0402	2SA1037AK/QR/-X	SI TRANSISTOR		
Q0405	DTA144TKA-X	DIGI TRANSISTOR		
Q0406	DTC363TK-X	DIGI TRANSISTOR		
Q0407	DTC363TK-X	DIGI TRANSISTOR		

Symbol No.	Part No.	Part Name	Description	Local
IC				
IC0301	LA7222	IC		
IC0401	CXA1545AS	IC		
IC0601	AN7395K	IC		
IC0602	TDA7315	IC		
IC0603	BA4558N	IC		

Symbol No.	Part No.	Part Name	Description	Local
OTHERS				
CP0601	ICP-N5-Y	IC PROTECTOR		
DL0301	CE42599-001	COMB FILTER MOD		
J0401	QMD2B04-001	MINI CONNECTOR		
J0402	CEMNO78-001	PIN JACK		

PACKING



PACKING PARTS LIST

△ Ref.No.	Part No.	Part Name	Description	Local
1	GG10044-007A-H	PACKING CASE		
2	LC10595-002A-H	CUSHION ASSY	8 pcs. in 1 set	
3	CP30967-003-H	POLY BAG		
4	RM-C235-1C	REMOCON UNIT		
5	CP30966-001-H	POLY BAG		
△ 6	LCT0735-001A-H	INST BOOK		
7	CM47385-00B-H	POS/SERIAL LABEL		
△ 8	LCT0736-001A-H	DIGEST MANUAL		
△ 9	LCT0737-001A-H	DIGEST MANUAL		

REMOTE CONTROL UNIT PARTS LIST

RM-C235-1C

△ Ref.No.	Part No.	Part Name	Description	Local
	3139 224 20073	BATTERY COVER		